



# Scooter

### Customer Care

We guarantee the quality and workmanship of the products we sell and we strive for your complete satisfaction! If for any reason you are not satisfied with our products or services, please contact our customer care center so we may resolve the issue to your satisfaction. Our team of dedicated professionals is available Monday through Friday, from 8:00 am to 8:00 pm (ET) at 800-524-3555.

### Materials

Tilo trikes are made of welded steel tubing; powder coated for durability and longevity. Plastic components include: weather resistant polyethylene, thermo plastic polyurethane, and thermo plastic rubber.

### Age Rating

Toddler Trike .....	1-3 years
10" Trike .....	3-4 years
12" Trike .....	3-6 years
14" Trike .....	3-8 years
14" Lowrider .....	3-8 years
Scooter.....	3-7 years

### Storage

Always store trikes indoors when not in use.

### Cleaning Instructions

Use mild soap and water on a damp cloth. Do not use window cleaners or abrasive products as they may damage the finish.

### Replacement Parts

For replacement parts, please contact customer care. Reference your item name and number.

### 5 Year Warranty

Our commitment to provide our customers with a high quality, durable and safe product is reinforced by our warranty. Tilo offers a five year warranty on all trike frames.

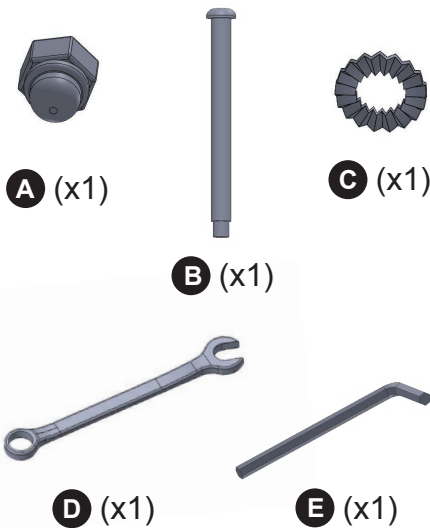
Your product is warranted to be free from defects in material and craftsmanship. This warranty does not apply to damage caused by abuse, misuse, improper care or altered product. This warranty is provided to the original purchaser with proof of purchase, and is nontransferable.

The manufacturer's liability under this warranty is limited to the repair or replacement of the defective product, at the manufacturer's sole option. This express, limited warranty is granted in lieu of all other warranties, including implied warranties of merchantability and fitness for a particular purpose.

For information on warranty claims, please contact customer care at 800-524-3555 with your item name, item number, and date of purchase.

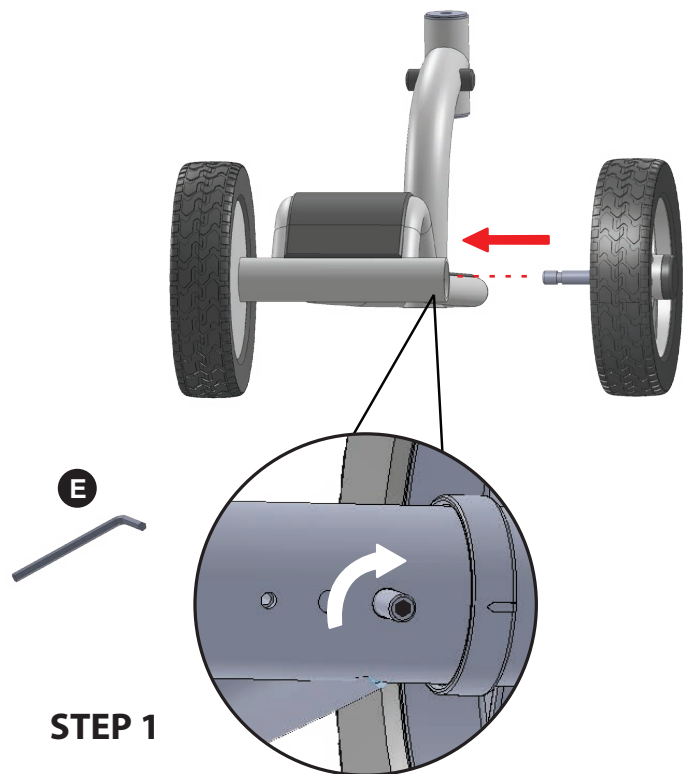
## ASSEMBLY INSTRUCTIONS

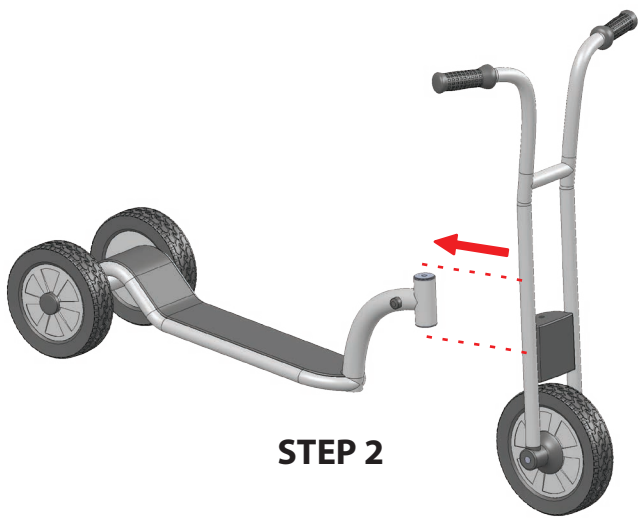
### HARDWARE & TOOLS



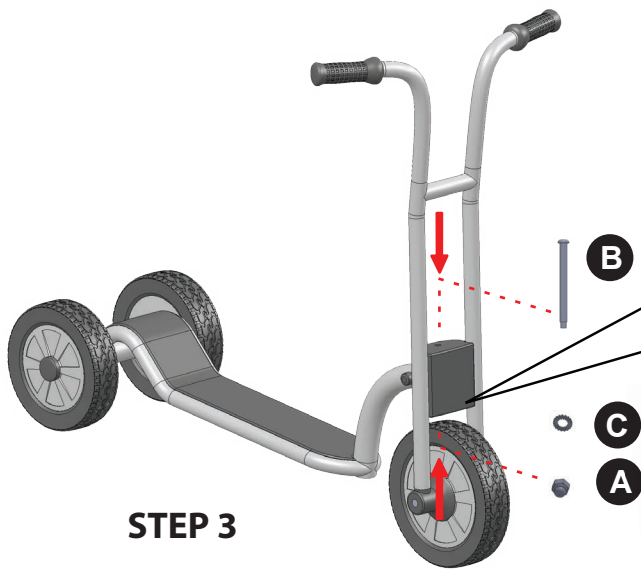
### **⚠ WARNING:** TO AVOID SERIOUS INJURY:

- Continuous adult supervision required.
- Never use near motor vehicles, streets, alleyways, swimming pools, hills, steps, or sloped driveways.
- Always wear shoes and protective equipment when using the tricycle.
- Never allow more than 1 rider at a time.
- Maximum weight limit 75 lbs. Ages 1+.
- Riders should always wear properly fitted helmet that complies with U.S. Consumer Product Safety Commission (CPSC) Standard 16 CFR 1203.

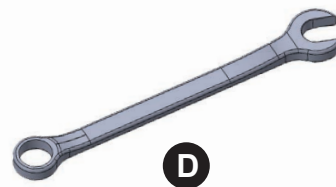
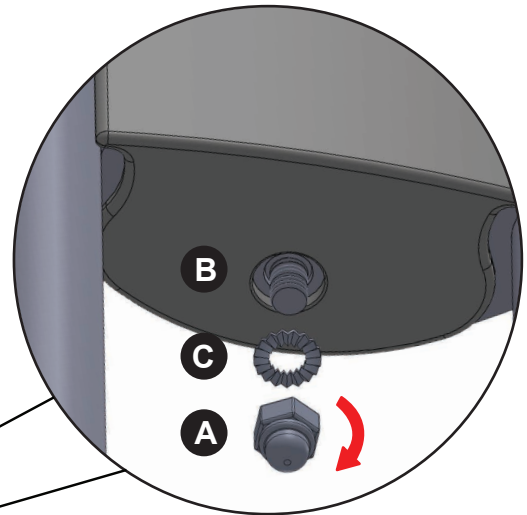




**STEP 2**



**STEP 3**



**⚠ CAUTION:** SMALL PARTS AND SHARP POINTS MAY BE PRESENT PRIOR TO ASSEMBLY.

**⚠ WARNING:** Adult assembly required.

Please remove all packaging material before giving to children.

- Maximum weight limit 75lbs.
- Always wear safety equipment such as helmet, knee pads and elbow pads. Always wear a helmet when riding your scooter and keep the chinstrap securely buckled. Always wear shoes.
- Ride on smooth, paved surfaces away from motor vehicles.
- Avoid sharp bumps, drainage grates, and sudden surface changes. Scooter may suddenly stop.
- Avoid streets and surfaces with water, sand, gravel, dirt, leaves, and other debris. Wet weather impairs traction, braking, and visibility.
- Do not ride at night.
- Brake will get hot from continuous use. Do not touch after braking.

- Avoid excessive speed associated with downhill rides.
- Adults must assist children in the initial adjustment procedures to unfold scooter, adjust handlebar and steering to height, and finally to fold scooter.
- Obey all local traffic and scooter riding laws and regulations.
- Watch out for pedestrians.
- Check and secure all fasteners before every ride.
- Replace worn or broken parts immediately.